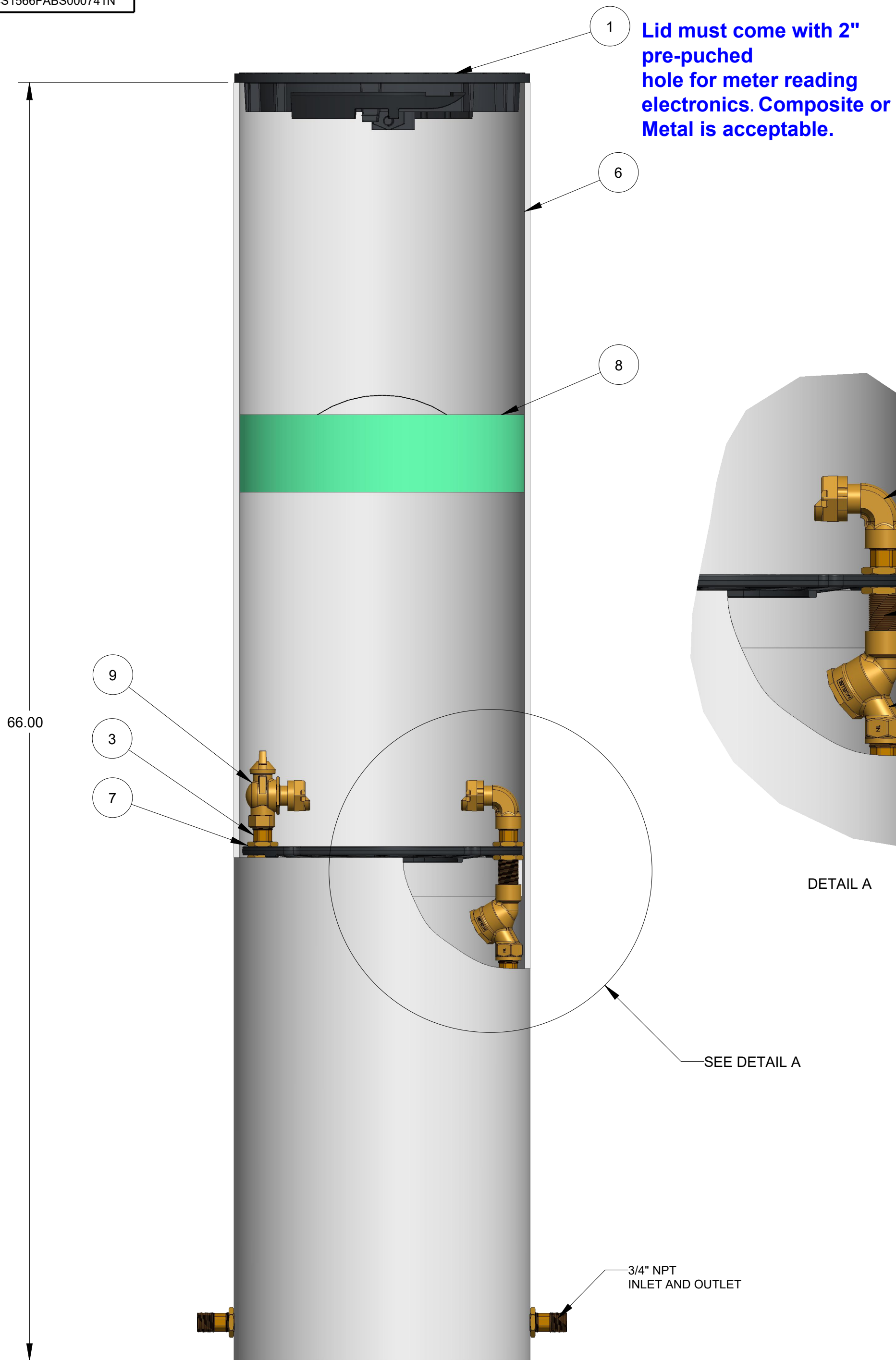
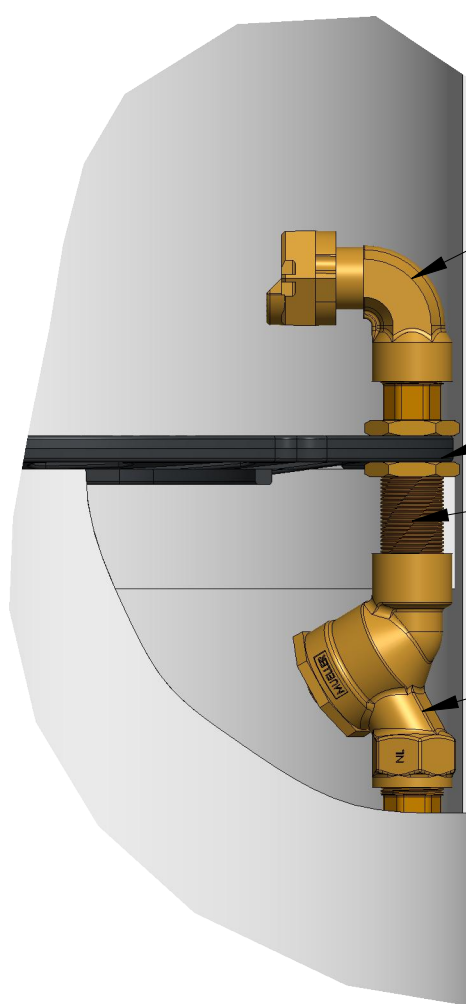


CWDBH will accept equivalent therma-coil pit setters from Ford and AY Macdonald.

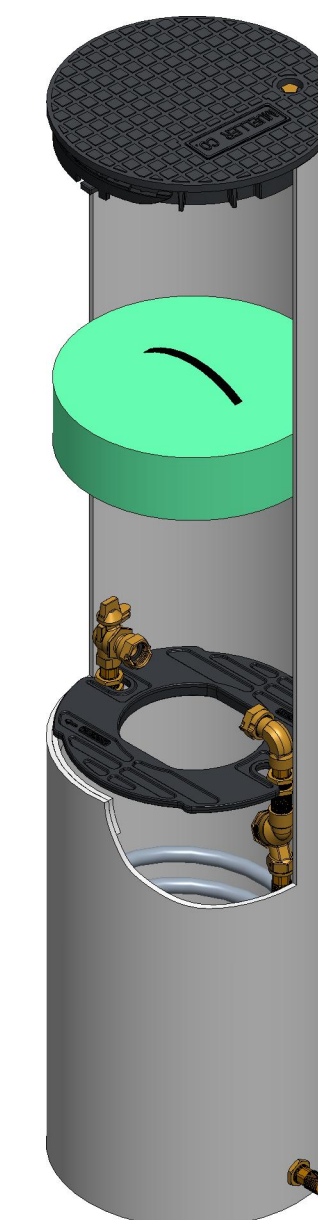
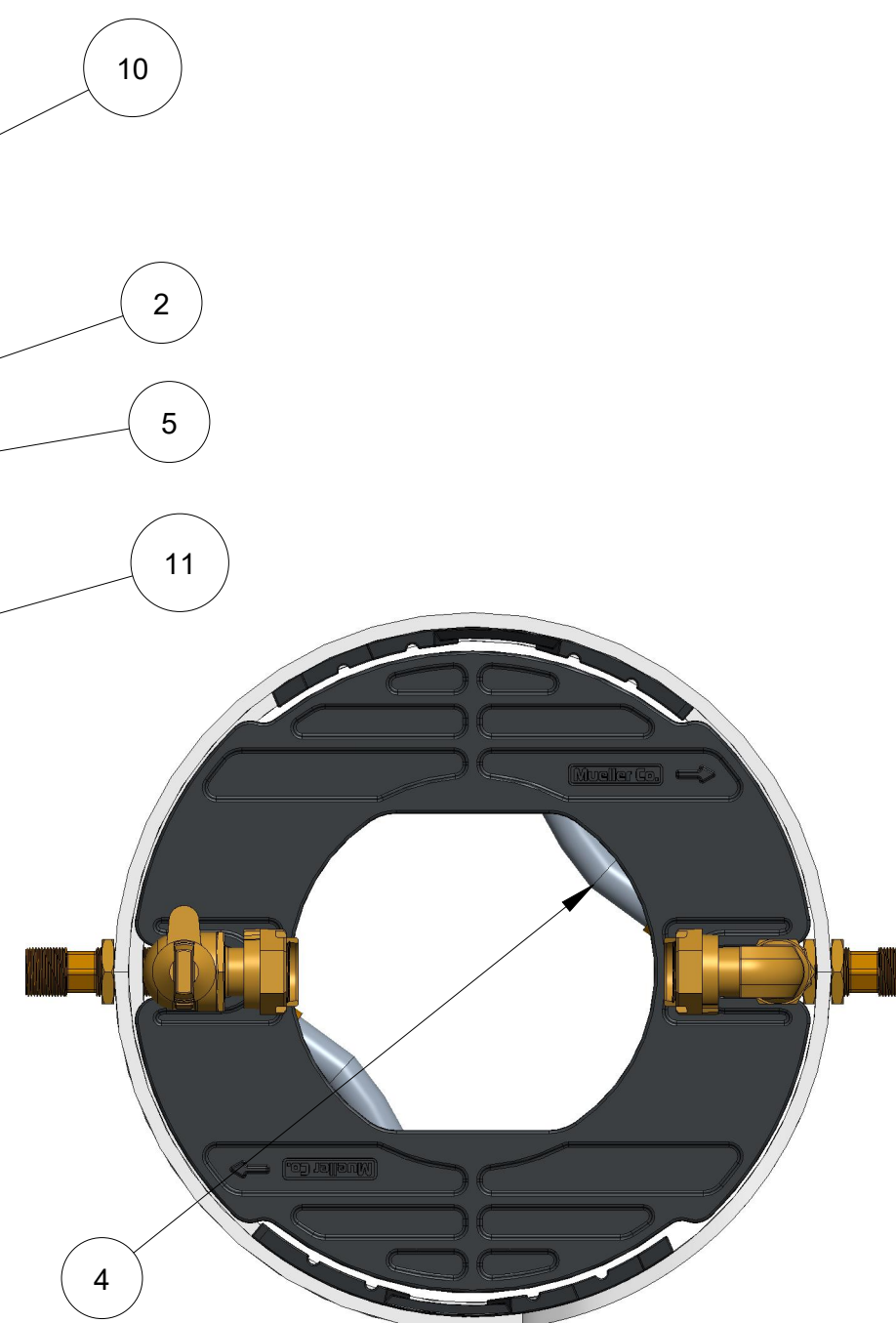
250CS1566FABS000741N



ITEM NO	PART NUMBER	QTY	DESCRIPTION
1	311954	1	15" COMPOSITE SIDE LOCKING LID (SOLD SEPARATELY)
2	311965	1	15-10 ABS PLATFORM
3	700013_REVE	4	3/4" HOSE CONNECTOR
4	700035-1566	2	3/4" COIL PART
5	700131	1	3/4" NIPPLE WITH WRENCH FLATS
6	780021-1566	1	SHELL SUB ASSEMBLY
7	790006	8	3/4" HEX NUT
8	790022	1	15" INSULATION PAD (SOLD SEPARATELY)
9	215B24265N	1	5/8" X 3/4" FULL PORT BALL VALVE
10	215H14210	1	5/8" X 3/4" METER COUPLING (SWIVEL NUT)
11	250H14243AN	1	3/4" INLINE CHECK VALVE



DETAIL A



SEE DETAIL A

3/4" NPT
INLET AND OUTLET

OPTION CODE: 000741
*ASSE CHECK VALVE INSTALLED UNDERNEATH
PLATFORM ON OUTLET

DR. BY: BBF	10/12/20	UNLESS OTHERWISE NOTED	THIRD ANGLE PROJECTION	C.B. NO.
CHKR:		BREAK CAST CORNER(S)---		
ENGR:		BREAK MACH CORNER(S)---	PURCH. FINISH	PATT. NO.
MGR:		TOLERANCES	REF. NO. SCALE	
MFG:		UNLESS OTHERWISE NOTED	STK. NO.	
TOOL:		LINEAR ANGULAR		
FDRY:		± ±		
MATL:		DESCR. 3/4" COIL SINGLE METER PIT 15" DIA X 66 DEPTH LOW LEAD BRASS		NUMBER 250CS1566FABS000741N
Mueller Co.				